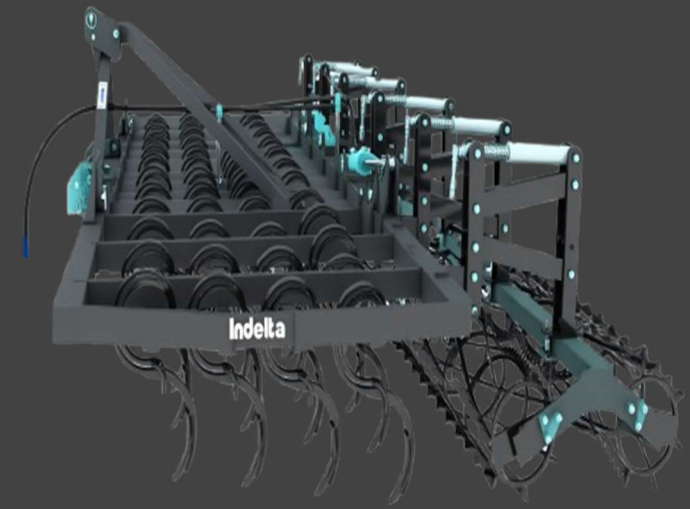
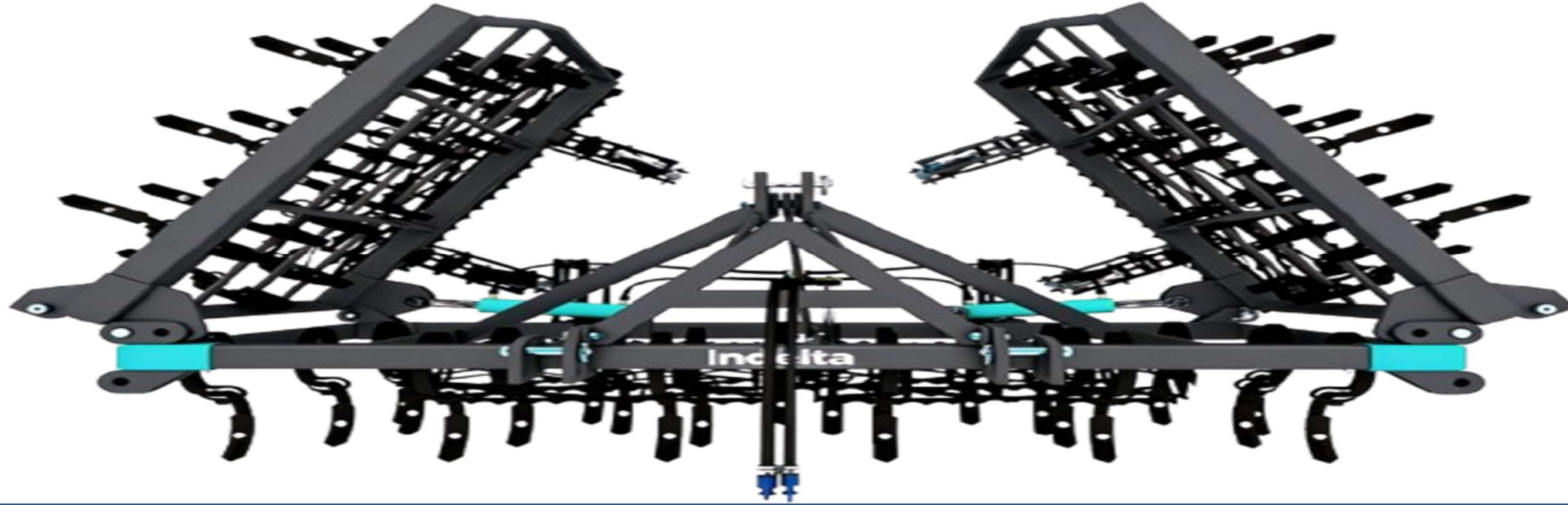


INDELTA EQUIPMENTS HYDRAULIC FOLDING S-TILLER CULTIVATOR

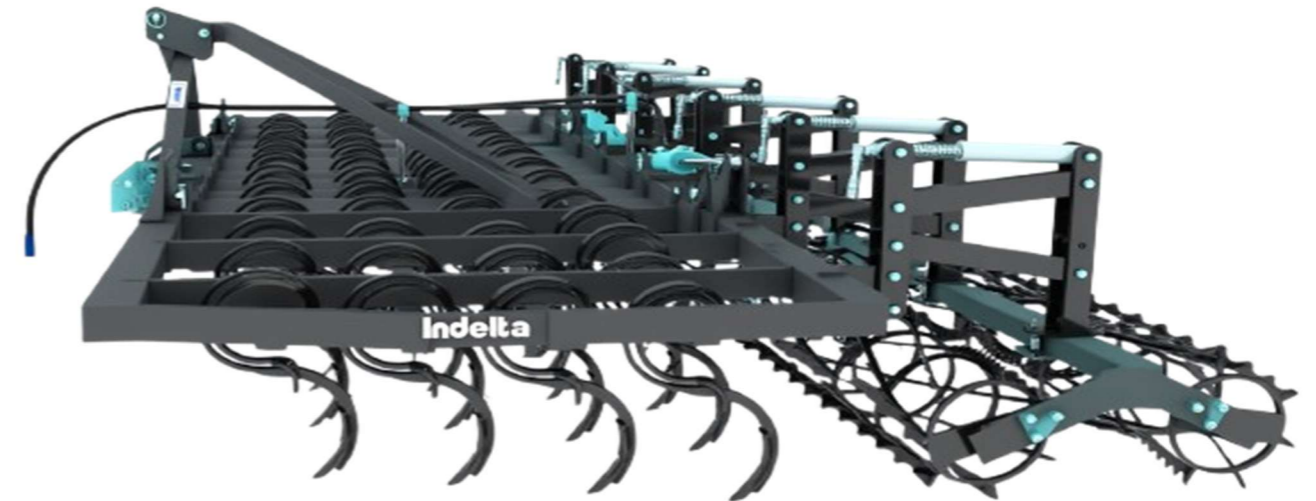


INDELTA HYDRAULIC FOLDING S TILLER CULTIVATOR– Soil Tillage

S-Tine Foldable Tiller is a secondary soil tillage machine is mounted to tractor's hydraulic lifting unit and universal three-point linkage system, hydraulically mounted type machine. Therefore, transportation to the field can be easily done. Hydraulically Foldable Tiller is used for preparing the soil before sowing by uprooting the weeds for to make fertilizer and preparing the seed-beds. Row spaces of the feet are adjustable. For preparing the soil for the sowing process single or double row roll also could be attachable at the back of the machine By preparing seed bed.



Sensitive working depth, Protects the soil; prevents erosion. Protects the humidity of the soil; increases water penetration capacity.



Of compared with other machines minimum fuel consumption, Very effective against wild grass fighting, Leveling the field with the help of its roller, Prepares the soil excellently for the plant growth.

OPTIONAL EQUIPMENTS:




S Tiller Cultivator (without folding)

250 to 400 cm width



Short leg (32*10mm)

	WORKING WIDTH	TOTAL Width	TINES	Working DEPTH	POWER APROX.	TOTAL HIGHT	LENGTH W/O ROLLE	LENGTH WITH ROLLER	WEIGHT W/O ROLLER	WEIGHT WITH ROLLER
MODEL	MM.	MM.	N`	MM.	HP	MM.	MM.	MM.	KG	KG
AFC35	3600	3700	35	200	70/80	1400	1700/2000	2400/2700	580	980
AFC40	4100	4200	40		90/100				650	1060
AFC45	4600	4700	45		110/120				720	1140
AFC50	5100	5200	50		130/140				790	1220
AFC55	5600	5700	55		150/160				860	1300
AFC60	6100	6200	60		170/180				930	1380
ARFC65	6600	6700	65		190/200				1000	1460